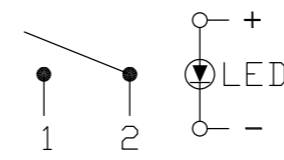


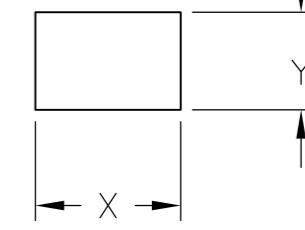
THIS DRAWING IS UNPUBLISHED. RELEASED FOR PUBLICATION
 © COPYRIGHT BY TYCO ELECTRONICS CORPORATION. ALL RIGHTS RESERVED.

LOC	DIST	REVISIONS			
P	LTR	DESCRIPTION	DATE	DWN	APVD
AD	00	G1	REVISED PER ECO-10-005254	19MAR10	HMR NE

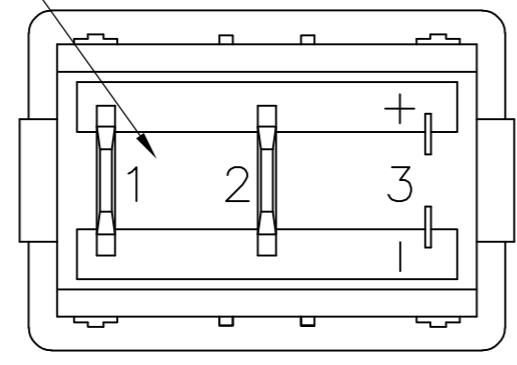
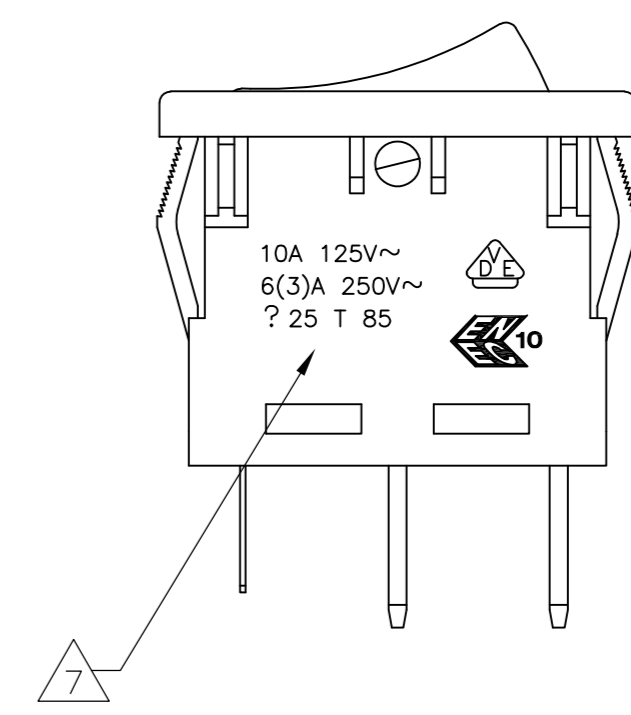
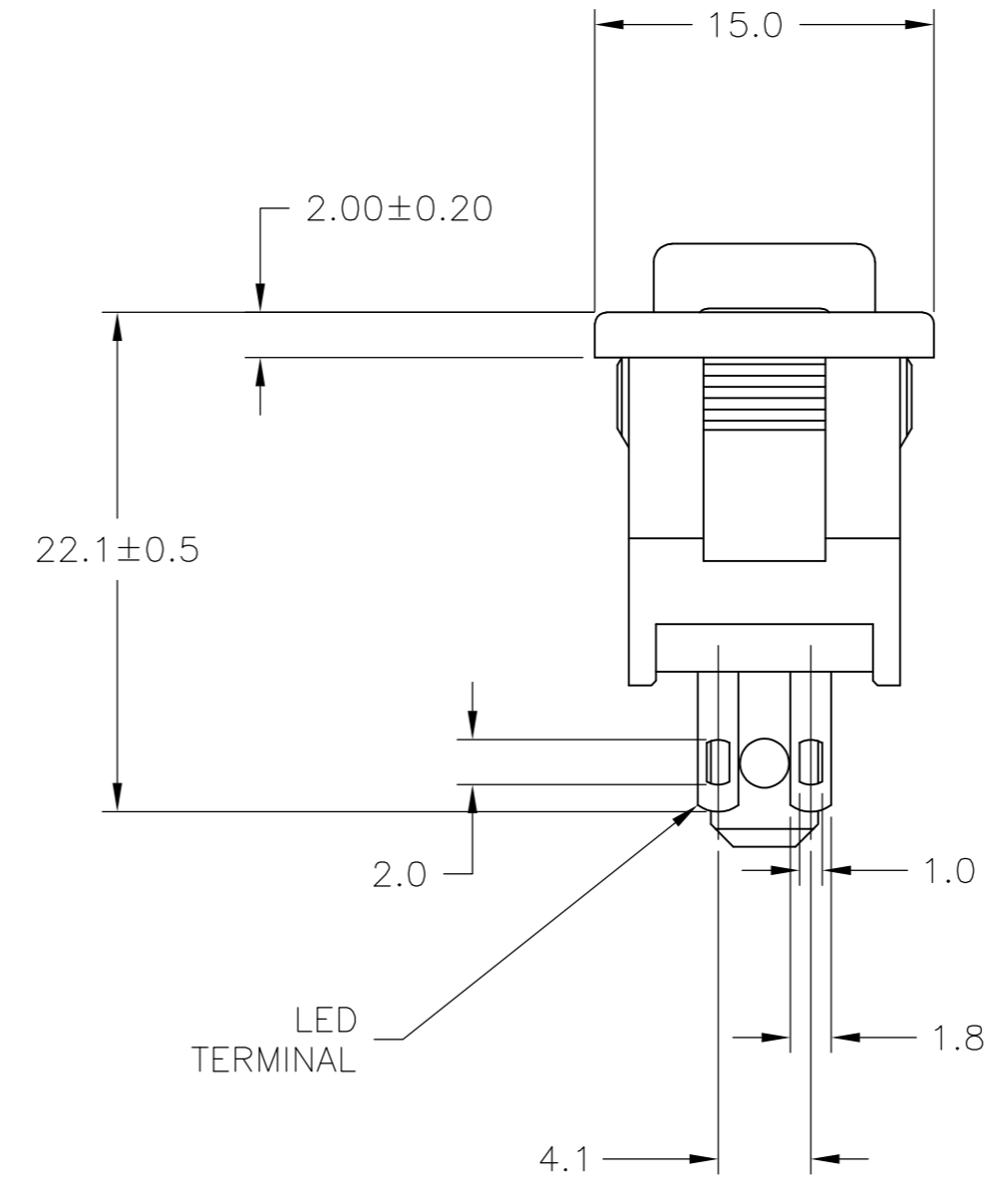
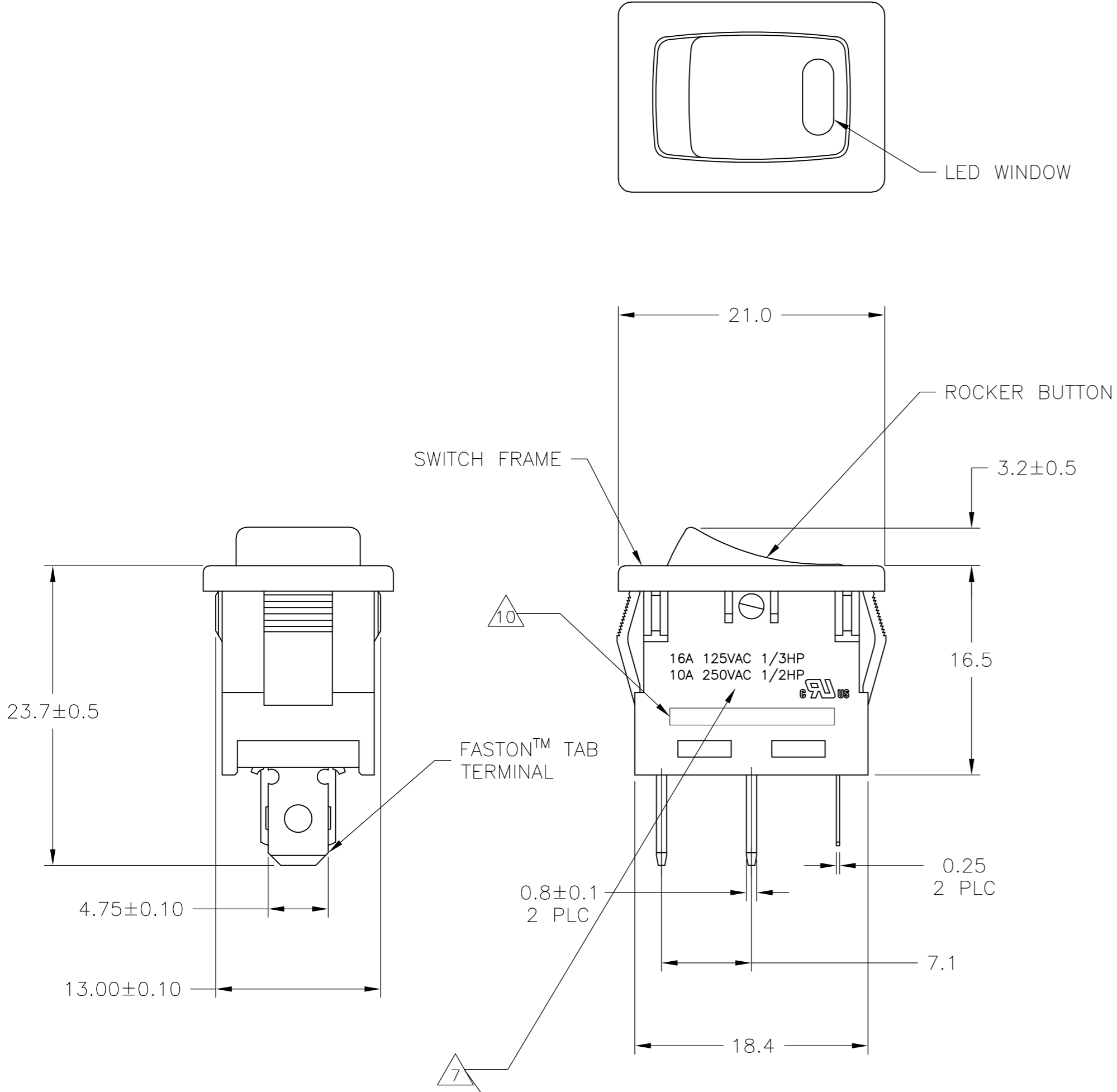
SWITCH FUNCTION C1
CIRCUIT DIAGRAM



PANEL CUT OUT



2.00-3.00	19.8-0.1	13.0+0.1
1.25-2.00	19.4-0.1	13.0+0.1
0.75-1.25	19.2-0.1	13.0+0.1
PANEL THICKNESS	X	Y

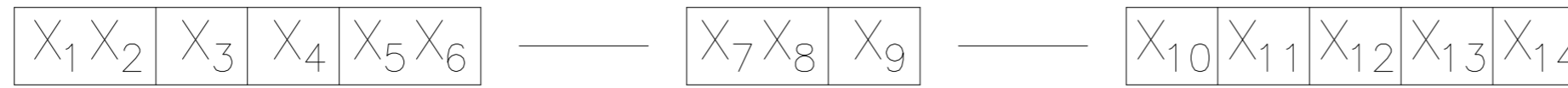


THIS DRAWING IS A CONTROLLED DOCUMENT.		DWN M.BINNER 25FEB2002	Tyco Electronics Corporation Harrisburg, PA 17057	
DIMENSIONS: MM		CHK J.MOSIER	NAME POWER ROCKER SWITCH, 13.0mm X 19.2mm PANEL CUT-OUT SIZE, SINGLE POLE, SINGLE THROW, FOUR TERMINALS, LED-ILLUMINATED	
TOLERANCES UNLESS OTHERWISE SPECIFIED: 0 PLC ± - 1 PLC ± 0.30 2 PLC ± 0.05 3 PLC ± - 4 PLC ± - ANGLES ± -		APVD -	PRODUCT SPEC NOT APPLICABLE	SIZE A2
MATERIAL 1		APPLICATION SPEC NOT APPLICABLE	CAGE CODE 00779	DRAWING NO C=1571083
FINISH 2		WEIGHT -	SCALE 3:1	SHEET 1 OF 2 REV G1
CUSTOMER DRAWING			RESTRICTED TO -	

THIS DRAWING IS UNPUBLISHED. RELEASED FOR PUBLICATION
 © COPYRIGHT BY TYCO ELECTRONICS CORPORATION. ALL RIGHTS RESERVED.

LOC	DIST	REVISIONS			
P	LTR	DESCRIPTION	DATE	DWN	APVD
AD	00	SEE SHEET 1	-	-	-

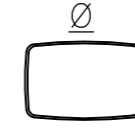
ALCOSWITCH PART NUMBER



SWITCH TYPE: X1X2 = PR - POWER ROCKER
 NOMINAL PANEL CUT OUT SIZE: X3 = A - 13.0x19.2
 NUMBER OF POLES: X4 = S - SINGLE
 SWITCH FUNCTION: X5X6 = C1 - ON-OFF, OPAQUE, LED ILLUMINATED WINDOW, ROCKER BUTTON
 CURRENT RATING: X7X8 = 16 - 6
 TERMINAL TYPE: X9 = F - FASTON™ TAB
L - SOLDER LUG
 FRAME COLOR: X10 = B - BLACK
W - WHITE
 ROCKER COLOR: X11 = B - BLACK
G - GREEN
R - RED
W - WHITE

LED COLOR: X12 = A - AMBER
G - GREEN
R - RED

LEGEND TEXT PATTERN: X13 =



LEGEND TEXT COLOR: X14 = Ø - NOT APPLICABLE

- 1. **MATERIALS:**
 ROCKER BUTTON & HOUSING: NYLON 66, UL 94 V-2.
 LED WINDOW: POLYCARBONATE, UL 94 V-2
 TERMINAL, ACTIVE CONTACTOR: COPPER ALLOY PER ASTM B152/B152M
 LED TERMINALS, PLUNGER: COPPER ALLOY PER ASTM B036
 SPRING: STEEL WIRE PER ASTM A228/A228M
 CONTACT: SILVER-TIN OXIDE
- 2. **FINISH:**
 TERMINAL, ACTIVE CONTACTOR: 1.0µm MIN SILVER
 PLUNGER: 3.0µm MIN NICKEL
 LED TERMINALS: 3.0µm MIN TIN
- 3. **ELECTRICAL SPECIFICATIONS:**
 CURRENT AND VOLTAGE: 6
 CONTACT RESISTANCE (INITIAL): <100mΩ (5V, 1A DC)
 DIELECTRIC STRENGTH (INITIAL): >1000 VAC, 1 MINUTE
 INSULATION RESISTANCE (INITIAL): >100MΩ MIN (500VDC BETWEEN OPEN CONTACTS)
 INRUSH CURRENT: 50A / 3msec (CAPACITIVE LOAD)
 ELECTRICAL LIFE ENDURANCE: >6000 OPERATIONS, VOLTAGE DROP: <100mV
 TEMPERATURE RISE AT TERMINALS: <30°C, 6000 OPERATIONS
 (AMBIENT CONDITIONS: 25±2°C AND 65±5%R.H)
 LED - RED: FORWARD VOLTAGE 2.0 VDC AT 20mA FORWARD CURRENT
 GREEN: FORWARD VOLTAGE 2.2 VDC AT 20mA FORWARD CURRENT
 AMBER: FORWARD VOLTAGE 2.1 VDC AT 20mA FORWARD CURRENT
- 4. **MECHANICAL SPECIFICATIONS:**
 ACTUATING FORCE: 150g MIN, 650g MAX
 OPERATING LIFE ENDURANCE: >100,000 OPERATIONS
 TERMINAL RETENTION STRENGTH: >2.5kg- SOLDER LUG
 >6.8kg- FASTON TAB

- 5. **ENVIRONMENTAL SPECIFICATIONS:**
 AMBIENT TEMPERATURE: -20°C TO +85°C
 HUMIDITY: MAX 85%
 SALT SPRAY: NO REMAKABLE RUST IN METAL PARTS. (5%SALT / 35°C 24HRS)
 SHOCK: NO MECHANICAL DEFECT OR DAMAGE. (100g / 10MSEC/ X,Y,Z 3 TIMES)
 VIBRATION: NO MECHANICAL DEFECT OR DAMAGE. (10-55Hz /1.5mm/ X,Y,Z 2HRS)
- 6. 6 UL: 16A@125VAC ½HP / 10A@250VAC ½HP
 ENEC: 10A 125V~, 6(3)A 250V~, µ25T85
- 7. 7 ELECTRICAL RATINGS, APPROVED AGENCY LOGOS, TERMINAL IDENTIFICATION NUMBERS, LED POLARITY SYMBOLS , MOLDED APPROXIMATELY AS SHOWN ON THE SIDE AND BOTTOM SURFACES OF THE SWITCH HOUSING.
- 8. COMPONENT RECOGNIZED TO US AND CANADIAN STANDARDS, UL FILE NO. E46765.
- 9. COMPONENT RECOGNIZED TO EUROPEAN STANDARDS (ENEC & VDE). MARKS LICENSE No. 40006757
- 10. 10 TYCO ELECTRONICS LOGO LOCATED APPROXIMATELY AS SHOWN

PRASC1-16F-BBR00	1571083-2
ALCOSWITCH PART NUMBER	TYCO PART NUMBER

THIS DRAWING IS A CONTROLLED DOCUMENT.		DWN	25FEB2002	Tyco Electronics Corporation	
DIMENSIONS: MM		CHK	M.BINNER	Harrisburg, PA 17057	
TOLERANCES UNLESS OTHERWISE SPECIFIED:		APVD	J.MOSIER	NAME	
0 PLC	± -	PRODUCT SPEC	-	POWER ROCKER SWITCH, 13.0mm X 19.2mm	
1 PLC	± 0.30	APPLICATION SPEC	-	PANEL CUT-OUT SIZE, SINGLE POLE, SINGLE THROW, FOUR TERMINALS, LED-ILLUMINATED	
2 PLC	± 0.05	SIZE	NOT APPLICABLE	SIZE	A2
3 PLC	± -	WEIGHT	NOT APPLICABLE	CAGE CODE	00779
4 PLC	± -	FINISH	-	DRAWING NO	C=1571083
ANGLES	± -	CUSTOMER DRAWING	-	RESTRICTED TO	-
SCALE 3:1		SHEET 2 OF 2		REV G1	